



TECHNIKA

PROFESSIONAL SERIES





## *Style Without Compromise*

At Technika, we know that the kitchen is the heart of the home.

That's why the Technika Professional Series has been thoughtfully designed for home cooks with a passion for cooking. Our professional quality appliances are packed with functional features and innovative technologies to deliver style without compromise.

**TECHNIKA**

**PROFESSIONAL SERIES**



# CONTENTS

<b>BUILT-IN OVENS</b>	<b>4</b>
Electric built-in ovens	7
<b>COOKTOPS</b>	<b>10</b>
Ceramic cooktops	12
Induction cooktops	14
Gas cooktops	16
<b>FREESTANDING COOKERS</b>	<b>18</b>
Dual fuel freestanding cookers	21
Electric freestanding cookers	23
Gas freestanding cookers	24
<b>RANGEHOODS</b>	<b>26</b>
Canopy rangehoods	28
Slide-out rangehoods	29
Undermount rangehoods	30
<b>DISHWASHERS</b>	<b>32</b>
Benchtop dishwashers	34
Freestanding dishwashers	35
<b>TECHNICAL SPECIFICATIONS</b>	<b>36</b>
Built-in ovens	37
Cooktops	41
Freestanding cookers	47
Rangehoods	53
Dishwashers	57



**BUILT-IN OVENS**

# KEY FEATURES



## TELESCOPIC RAILS

The full extension telescopic rails are removable and allow for safe access to food so you can easily baste, turn and stir for great results.



## AIR FRY

Offering a convenient, counter-saving option that promotes healthier eating - eliminating the need for extra oil and extra appliances in the kitchen.



## LARGE CAPACITY

All Technika built-in ovens come with a huge gross capacity meaning more space for baking and roasting your favourite food.



## PYROCLEAN

A pyrolytic self-cleaning function using high temperatures to reduce any food residue to ash, just wipe away with a damp cloth.

\*Not all features available on all models.

# FUNCTIONS

Cooking delicious food not only requires the right temperature and time, but also the right oven function. At Technika, we've developed a function for every recipe, so you can share great food with family and friends.



## FULL GRILL

Cooks using heat from both the grill and top elements, suitable for grilling a range of food like meat and fish.



## FAN GRILL

Uses both the fan and the grill element to circulate heat around the food, ideal for browning meat.



## CONVENTIONAL (ELECTRIC)

A traditional method of cooking using heat from both the top and bottom elements, great for cooking a variety of food on a single shelf.



## FAN ASSIST (ELECTRIC)

Cooks using heat from the top and bottom elements, plus the fan to distribute heat evenly around the oven for faster cooking, suitable for baking pastries on multiple shelves.



## FAN FORCED

Cooks using both the fan and the element around the fan to distribute heat around the oven, resulting in faster, more even cooking.



## TOP HEAT

Uses heat from the top element and is ideal for browning food as the heat isn't as intense as the grill.



## BASE HEAT

Uses heat from the bottom element and is suitable for baking cakes, pastries and biscuits.



## BASE HEAT + FAN

Cooks using the fan and the bottom element to circulate heat around the food, great for tarts and quiches.



## MULTICOOKING

Intensive cooking using heat from all three elements plus the fan to distribute heat around the oven to cook faster and more evenly.



## PIZZA

Uses heat from the bottom element and the element around the fan, plus the fan to distribute heat around the food, great for cooking pizzas.



## DEFROST

The fan circulates air around the food without any heat to defrost frozen foods faster.



## LIGHT

The light illuminates the oven cavity allowing you to check on the progress of your cooking with ease.



## PYROCLEAN

A self-cleaning function using high temperatures to reduce any food residue to ash.



## HALF GRILL

"Grill" directs radiant heat from the powerful upper element onto the food.



## AIRFRY

Offering a convenient, counter-saving option that promotes healthier eating- eliminating the need for extra oil and extra appliances in the kitchen.



## ECO

Excellent for those cooking in smaller proportions with its energy saving capabilities.



## INTENSIVE BAKE

This feature evenly distributes the heat, resulting in a crispy bottom without overcooking the content. Great for tarts, pies and quiches.



# ELECTRIC BUILT-IN OVENS

## 60CM 5 FUNCTION BUILT IN OVEN STAINLESS STEEL

### TGO65X

5 Functions

85L capacity

Stainless steel + black glass finish

Knob controls

Timer mechanical, 120mins

Triple glazed door

Wire shelves

Oven light

Soft-close door

Grill insert

10A plug and lead

2 year warranty



10AMP  
PLUG



## 60CM 6 FUNCTION BUILT IN OVEN STAINLESS STEEL

### TGO66TX

6 Functions

85L capacity

Stainless steel + black glass finish

White LED display

5 Shelf positions

Removable telescopic rail set

Premium braided oven seal

Soft-close door

Triple glazed door

Oven light

3 Key touch timer

Cavity cooling system

2x Wire Shelves

Baking tray

Grill insert

2 year warranty



# ELECTRIC BUILT-IN OVENS

## 60CM 14 FUNCTION OVEN | AIR FRY DARK STAINLESS STEEL

### TGO614ABK

- |                               |                          |
|-------------------------------|--------------------------|
| 85L capacity                  | Grill Insert             |
| 14 Functions                  | Baking tray              |
| Dark stainless steel finish   | Programmable touch timer |
| White digital LED             | Full touch control type  |
| 5 Shelf positions             | Oven light               |
| Air fry basket                | 2 Wire shelves           |
| Removable telescopic rail set | Triple glazed door       |
| Soft-close door               | 2 year warranty          |



## 60CM 11 FUNCTION PYROLYTIC OVEN AIR FRY | DARK STAINLESS STEEL

### TGPO611ABK

- |   |                           |
|---|---------------------------|
| 85L capacity                              | Premium braided oven seal |
| 11 Functions                              | Oven light                |
| Dark stainless steel + black glass finish | Programmable touch timer  |
| Central dial + touch control              | 5 Shelf positions         |
| White LED display                         | Soft-close door           |
| Baking tray                               | 2 Wire shelves            |
| Grill Insert                              | Air fry basket            |
| Triple glazed door                        | 2 year warranty           |
| Telescopic rail set                       |                           |



# ELECTRIC BUILT-IN OVENS

## 90CM ELECTRIC 10 FUNCTION OVEN DARK STAINLESS STEEL

**TGO910TBK**

- |   |                          |
|---|--------------------------|
| 110L capacity                             | Twin lighting            |
| 10 Functions                              | Programmable touch timer |
| Fast preheat + Memory settings            | Child lock               |
| Dark stainless steel + black glass finish | Full touch control type  |
| Triple glazed door                        | Telescopic rail set      |
| White LED display                         | Baking tray              |
| 4 Shelf positions                         | Cavity cooling system    |
| Grill Insert                              | 2 year warranty          |



## 60CM 8+4 FUNCTION DOUBLE OVEN DARK STAINLESS STEEL

**TGDO84TBK**

- |   |   |
|---|---|
| 38L + 67L capacity                        | 2 Oven lights                           |
| 4 + 8 Functions                           | Programmable timer + minute minder      |
| Dark stainless steel + black glass finish | Durable easy clean blue enamel interior |
| White LED display                         | Removable triple glazed doors           |
| 3 + 5 Shelf positions                     | Removable inner glass door panels       |
| Removable dual telescopic rails           | Cavity cooling system                   |
| Closed door grilling                      | 2 year warranty                         |



TOP OVEN



BOTTOM OVEN





COOKTOPS

# KEY FEATURES



## BRASS BURNERS

Sabaf brass gas burners are not only Italian made and distribute heat more evenly, but are also corrosion resistant for durability.



## CAST IRON TRIVETS

Heavy-duty cast iron trivets for a flat and stable surface on the cooktop to easily place and move cookware around.



## SMART FLEXI-ZONE

A flexible cooking zone combining two zones into one when cooking with large cookware.



## DUAL CONTROL WOK BURNER

Powerful dual control wok burner with up to 17MJ of gas, adjust your flame to cook from a quick stir fry to a slow simmer.

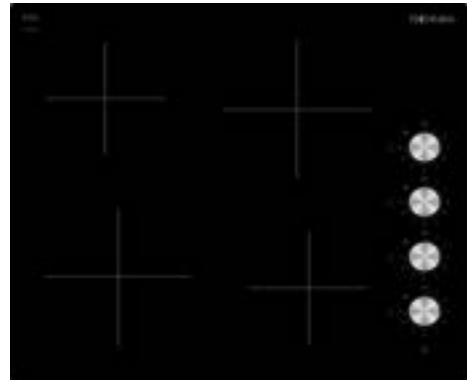
\*Not all features available on all models.

# CERAMIC COOKTOPS

## 60CM CERAMIC COOKTOP

### TGGCM64-5

- 4 Cooking zones
- 9 Power levels
- Premium Schott ceramic glass surface
- Sensor touch on / off key
- Residual heat indicators
- On / off indicator
- 2 year warranty



## 60CM CERAMIC COOKTOP

### TGGCE64-5

- 4 Cooking zones including 1 extendable zone
- 9 Power levels
- Premium Schott ceramic glass surface
- Slide touch controls
- Sensor touch on / off key
- Automatic cooking timer
- Child lock
- Residual heat indicators
- On / off indicator
- 2 year warranty

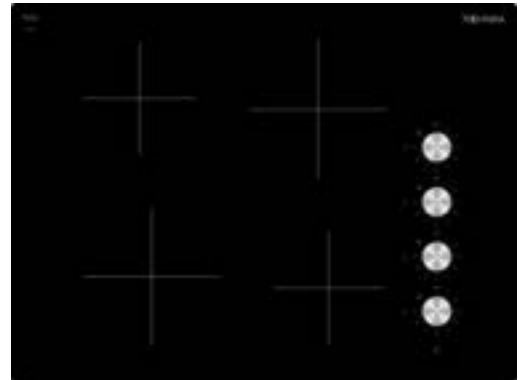


# CERAMIC COOKTOPS

## 70CM CERAMIC COOKTOP

### TGGCM74

- 4 Cooking zones
- 9 Power levels
- Premium Schott ceramic glass surface
- Sensor touch on / off key
- Residual heat indicators
- On / off indicator
- 2 year warranty



## 70CM CERAMIC COOKTOP

### TGGCE74

- 4 Cooking zones including 1 extendable zone
- 9 Power levels
- Premium Schott ceramic glass surface
- Slide touch controls
- Sensor touch on / off key
- Automatic cooking timer
- Child lock
- Residual heat indicators
- On / off indicator
- 2 year warranty



## 90CM CERAMIC COOKTOP

### 95HTSS-5

- 5 Cooking zones including 2 extendable zones
- 9 Power levels
- Keep Warm + Pause settings
- Premium Schott ceramic glass surface with frameless beveled edge
- Slide touch controls
- Sensor touch on / off key
- Automatic cooking timer
- Child lock
- Residual heat indicators
- On / off indicator
- 2 year warranty

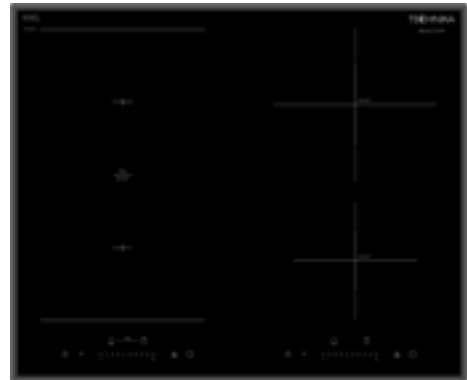


# INDUCTION COOKTOPS

## 60CM INDUCTION COOKTOP

### TGC6IND-5

- 4 Cooking zones including 1 Smart Flexi-Zone
- 9 Power levels + Boost
- Premium Schott ceramic glass surface with frameless beveled edge
- Slide touch controls
- Sensor touch on / off key
- Automatic cooking timer
- Child lock
- Pan sensors
- Residual heat indicators
- On / off indicator
- 2 year warranty



## 90CM INDUCTION COOKTOP

### TGC9IND-5

- 5 Cooking zones including 2 Smart Flexi-Zones + 1 Extra Large zone
- 9 Power levels + Boost
- Premium Schott ceramic glass surface with frameless beveled edge
- Slide touch controls
- Sensor touch on / off key
- Automatic cooking timer
- Child lock
- Pan sensors
- Residual heat indicators
- On / off indicator
- 2 year warranty







# GAS COOKTOPS

## 60CM GAS COOKTOP

### TGC6GX

- 4 Italian Sabaf gas burners
- Front left wok burner + wok trivet
- Stainless steel finish
- Heavy-duty cast iron trivets
- Automatic ignition
- Flame safety device
- 2 year warranty



## 60CM GAS ON GLASS COOKTOP

### TGC6GBK

- 4 Italian Sabaf brass gas burners
- Front left wok burner + wok trivet
- Tempered black glass finish
- Heavy-duty cast iron trivets
- Automatic ignition
- Flame safety device
- 2 year warranty



# GAS COOKTOPS

## 90CM GAS COOKTOP

### TGC9GLX

- 5 Italian Sabaf gas burners
- Left dual control wok burner + wok trivet
- Stainless steel finish
- Heavy-duty cast iron trivets
- Automatic ignition
- Flame safety device
- 2 year warranty



## 90CM GAS ON GLASS COOKTOP

### TGC9GLBK

- 5 Italian Sabaf brass gas burners
- Left dual control wok burner + wok trivet
- Tempered black glass finish
- Heavy-duty cast iron trivets
- Automatic ignition
- Flame safety device
- 2 year warranty





**FREESTANDING  
COOKERS**

# KEY FEATURES



## LARGE CAPACITY

All Technika freestanding cookers come with a huge gross capacity meaning more space for baking and roasting your favourite food.



## CAVITY COOLING SYSTEM

A fan circulates cool air around the oven cavity to protect cabinetry so you can seamlessly integrate a cooker into your kitchen.



## TRIPLE GLAZED DOOR

Oven doors with triple glazing to keep heat inside for more efficient cooking, while ensuring the outside is cooler to touch.



## TWIN FANS

The twin fans circulate heat evenly around your oven for faster, more efficient cooking than a single oven fan.

# FUNCTIONS

Cooking delicious food not only requires the right temperature and time, but also the right oven function. At Technika, we've developed a function for every recipe, so you can share great food with family and friends.



## FULL GRILL

Cooks using heat from both the grill and top elements, suitable for grilling a range of food like meat and fish.



## HALF GRILL

Uses heat from the grill element and is ideal for grilling small quantities of food as the heat isn't as intense as the full grill.



## FAN GRILL

Uses both the fan and the grill element to circulate heat around the food, ideal for browning meat.



## CONVENTIONAL (ELECTRIC)

A traditional method of cooking using heat from both the top and bottom elements, great for cooking a variety of food on a single shelf.



## CONVENTIONAL (GAS)

A traditional method of cooking using heat rising from a burner at the base of the oven, ideal for baking sweets, slow cooking casseroles, and roasting meat.



## FAN ASSIST (GAS)

Uses both the fan and the burner to circulate heat around the food for more even cooking.



## FAN FORCED

Cooks using both the fan and the element around the fan to distribute heat around the oven, resulting in faster, more even cooking.



## TOP HEAT

Uses heat from the top element and is ideal for browning food as the heat isn't as intense as the grill.



## BASE HEAT + FAN

Cooks using the fan and the bottom element to circulate heat around the food, great for tarts and quiches.



## DEFROST

The fan circulates air around the food without any heat to defrost frozen foods faster.



## LIGHT

The light illuminates the oven cavity and is useful when manually cleaning the oven interior.

# DUAL FUEL FREESTANDING COOKERS

## 90CM DUAL FUEL COOKER

### TEG95DUA-2

Stainless steel finish  
Storage drawer

2 year warranty

#### Cooktop

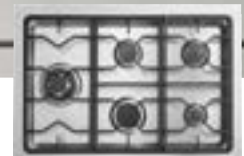
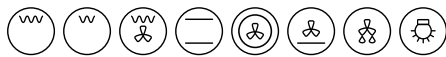
5 Italian Sabaf gas burners  
Left wok burner + wok trivet  
Heavy-duty cast iron trivets

Splashback  
Automatic ignition  
Flame safety device

#### Oven

115L capacity  
8 Functions  
LED display  
Removable side racks with 4 shelf positions  
Closed door grilling  
Twin fans  
2 Oven lights

Programmable timer + minute minder  
Child lock  
Durable easy clean blue enamel interior  
Removable triple glazed door  
Removable inner glass door panels  
Cavity cooling system



Cooktop configuration

## 90CM DUAL FUEL COOKER

### TEG95TBK

Matte black finish  
Storage drawer

2 year warranty

#### Cooktop

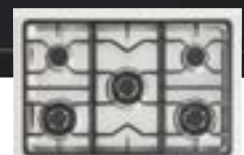
5 Italian Sabaf gas burners  
3 Wok burners + wok trivet  
Heavy-duty cast iron trivets

Splashback  
Automatic ignition  
Flame safety device

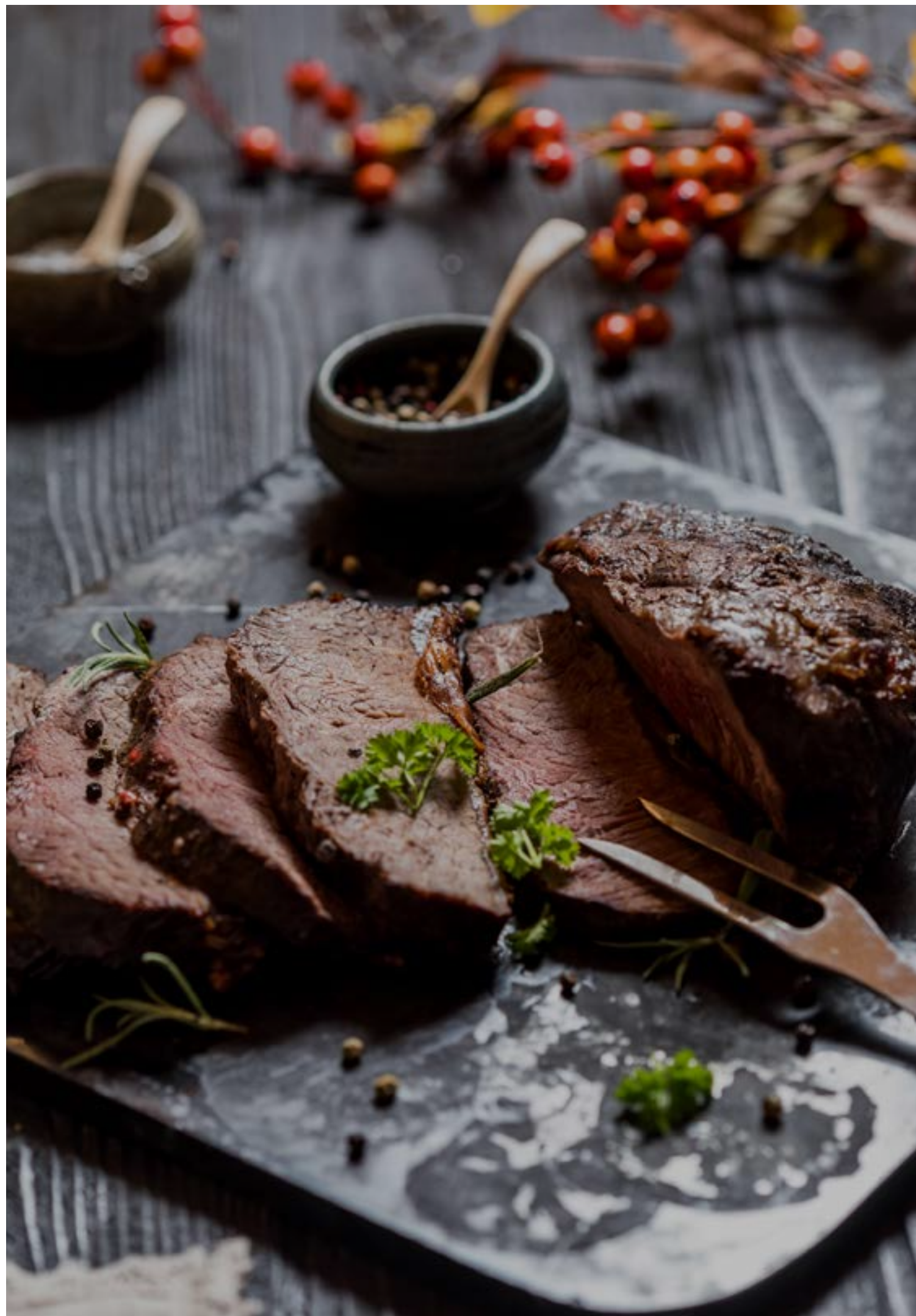
#### Oven

115L capacity  
8 Functions  
LED display  
Removable side racks with 4 shelf positions  
Removable dual telescopic rails  
Closed door grilling  
Twin fans

2 Oven lights  
Programmable timer + minute minder  
Child lock  
Durable easy clean blue enamel interior  
Removable triple glazed door  
Removable inner glass door panels  
Cavity cooling system



Cooktop configuration





# ELECTRIC FREESTANDING COOKERS

## 54CM ELECTRIC COOKER

**TFS54FC-SES**

Stainless steel finish

2 year warranty

### Cooktop

4 EGO hotplate elements  
6 power levels

On / off indicator  
Splashback

### Oven

83L capacity  
5 oven functions  
5 shelf positions  
Closed door grilling  
Oven light

Easy clean interior  
Removable double glazed doors  
Removable inner glass door panel  
Removable side racks  
Cavity cooling system



## 54CM ELECTRIC COOKER

**TFS54RC-DRW**

White enamel finish

2 year warranty

### Cooktop

4 electric coil elements  
6 power levels

On / off indicator  
Splashback

### Oven

83L capacity  
5 oven functions  
5 shelf positions  
Closed door grilling  
Oven light  
Easy clean interior

120min mechanical minute minder  
Removable triple glazed doors  
Removable inner glass door panel  
Removable side racks  
Cavity cooling system

### Grill

20L grill capacity  
1 shelf position

Removable side racks



# GAS FREESTANDING COOKERS

## 54CM GAS COOKER

### TFS54FC-SGW

White enamel finish

#### Cooktop

4 gas burners  
Battery ignition  
Heavy duty cast iron trivets

#### Oven

83L capacity  
2 oven functions  
5 shelf positions  
Closed door grilling

2 year warranty

Flame safety device  
Splashback

Easy clean interior  
Removable double glazed doors  
Removable inner glass door panel  
Removable side racks



## 54CM GAS COOKER

### TFS54FC-DGW

White enamel finish

#### Cooktop

4 gas burners  
Automatic ignition  
Heavy duty cast iron trivets

#### Oven

83L capacity  
1 oven function  
5 shelf positions  
Closed door grilling  
Oven light

#### Grill

20L grill capacity  
1 shelf position

2 year warranty

Wok burner + wok trivet  
Flame safety device  
Splashback

Easy clean interior  
Removable triple glazed doors  
Removable inner glass door panel  
Removable side racks  
Cavity cooling system

Removable side racks





# RANGEHOODS

# KEY FEATURES



## EASY TO CLEAN

The easy clean black glass surface just needs a wipe, and the aluminium filters can easily be removed for cleaning.



## HIGH EXTRACTION RATE

With a maximum airflow of up to 1000m<sup>3</sup>/h to quickly remove odours and steam while you cook to keep your kitchen fresh.



## TIMER

The timer can be set to continue extracting odours and steam after cooking, before automatically switching off your rangehood.



## TURBO SETTING

The Turbo setting operates at an extra high extraction rate and is designed for quick removal of strong odours and smoke.

\*Not all features available on all models.

# CANOPY RANGEHOODS

## 60CM CANOPY RANGEHOOD

### TCR60BK

4 Fan speeds + Turbo  
1000m<sup>3</sup>/h maximum airflow  
Ducted operation  
Stainless steel finish + black glass fascia  
Sensor touch controls  
LED display  
2 Stainless steel baffle filters  
2 2W LED lights  
Timer  
2 year warranty



## 90CM CANOPY RANGEHOOD

### TCR90BK

4 Fan speeds + Turbo  
1000m<sup>3</sup>/h maximum airflow  
Ducted operation  
Stainless steel finish + black glass fascia  
Sensor touch controls  
LED display  
3 Stainless steel baffle filters  
2 2W LED lights  
Timer  
2 year warranty



## 90CM CANOPY RANGEHOOD

### LOF26A9S

4 Fan speeds  
760m<sup>3</sup>/h maximum airflow  
Ducted operation  
Stainless steel finish + black glass top  
Push button controls  
LED display  
3 Aluminium mesh filters  
2 1W LED lights  
Timer  
Drip tray  
2 year warranty




# SLIDE-OUT RANGEHOODS

## 60CM SLIDE-OUT RANGEHOOD TGSL6DRX

- 2 Fan speeds
- 440m<sup>3</sup>/h maximum airflow
- Ducted / recirculating operation (40mm + 80mm fascia panels included)
- 2 Carbon filters (recirculating only)
- Stainless steel finish
- Switch controls
- 2 Aluminium mesh filters
- Twin motors
- 2 3W LED lights
- 2 year warranty



FOR SOME  
**TECHNIKA**  
INSPIRATION...

 /technika.appliances

 @technika.appliances

# UNDERMOUNT RANGEHOODS

## 52CM UNDERMOUNT RANGEHOOD

### TGU52S

- 3 Fan speeds
- 700m<sup>3</sup>/h maximum airflow
- Ducted operation
- Stainless steel finish
- Push button controls
- 1 Durable aluminium / stainless steel honeycomb filter
- 2 2W LED lights
- 2 year warranty



## 52CM UNDERMOUNT RANGEHOOD

### TGU52BK

- 3 Fan speeds
- 1000m<sup>3</sup>/h maximum airflow
- Ducted operation + perimeter aspiration
- Black glass finish
- Sensor touch controls
- 1 Aluminium mesh filter
- 2 2W LED strip lights
- Timer
- 2 year warranty



## 70CM UNDERMOUNT RANGEHOOD

### TGU70S

- 3 Fan speeds
- 700m<sup>3</sup>/h maximum airflow
- Ducted operation
- Stainless steel finish
- Push button controls
- 1 Durable aluminium / stainless steel honeycomb filter
- 2 2W LED lights
- 2 year warranty



# UNDERMOUNT RANGEHOODS

## 90CM UNDERMOUNT RANGEHOOD

### TGU90S

- 3 Fan speeds
- 700m<sup>3</sup>/h maximum airflow
- Ducted operation
- Stainless steel finish
- Push button controls
- 1 Durable aluminium / stainless steel honeycomb filter
- 2 2W LED lights
- 2 year warranty



## 90CM UNDERMOUNT RANGEHOOD

### TGU90BK

- 3 Fan speeds
- 1000m<sup>3</sup>/h maximum airflow
- Ducted operation + perimeter aspiration
- Black glass finish
- Sensor touch controls
- 1 Aluminium mesh filters
- 2 2W LED strip lights
- Timer
- 2 year warranty







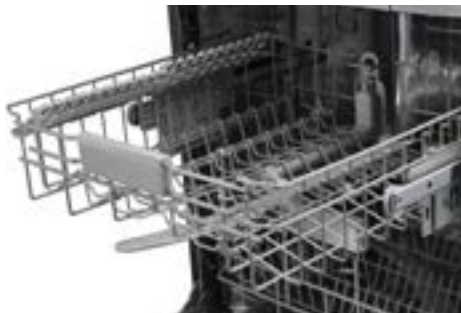
DISHWASHERS

# KEY FEATURES



## CUTLERY TRAY

A dedicated cutlery tray separates each utensil for an efficient clean, so you can conveniently load and unload all your cutlery.



## EASYLIFT UPPER BASKET

The height of the upper basket can easily be adjusted without the need to remove it, for more flexibility when loading dishes.



## PLACE SETTINGS

With the capacity and flexibility for 14 place settings, easily clean all your dishes at once.



## WASH PROGRAMS

Clean your dishes economically and efficiently with 6 wash programs to choose from, including Eco, Rapid and Rinse.

\*Not all features available on all models.

# BENCHTOP DISHWASHERS

## 55CM BENCHTOP DISHWASHER

### TEBTDWS-5

- 6 Place settings + cutlery basket
- 6 Programs
- 2 / 4 / 6 / 8 Hour delay start
- Stainless steel finish
- Push button controls
- LED display
- Concealed heating element
- Overflow protection
- Rinse aid indicator
- 2.5 Stars MEPS energy rating
- 164kW total energy consumption
- 3.5 Stars WELS water rating
- 7.4L Total water consumption
- 2 year warranty



## 60CM FREESTANDING DISHWASHER

### TSDW14GG

- 14 Place settings + cutlery basket
- 6 Programs
- 1-24 Hour delay start
- Stainless steel finish
- Push button controls
- White LED display
- Concealed heating element
- Overflow protection
- Rinse aid indicator
- 3 Stars MEPS energy rating
- 290kW total energy consumption
- 4 Stars WELS water rating
- 13.5L Total water consumption
- 2 year warranty



## 2 YEAR WARRANTY

All Technika Professional Series appliances are under a 2 year domestic use warranty covering parts and labour.

# FREESTANDING DISHWASHERS

## 60CM FREESTANDING DISHWASHER TGDW6SS

- 14 Place settings + cutlery tray
- 6 Programs + 1 auxiliary function
- 1 - 24 Hour delay start
- Stainless steel finish
- Push button controls
- LED display
- Premium basket handles
- EasyLift upper basket
- Adjustable plate racks
- 2 Spray arms

- Concealed heating element
- Overflow protection
- Rinse aid indicator
- Child lock
- Removable top
- 3 Stars MEPS energy rating
- 310kW total energy consumption
- 4 Stars WELS water rating
- 13.8L total water consumption
- 2 year warranty



## 60CM FREESTANDING DISHWASHER TGDW6BK

- 14 Place settings + cutlery tray
- 6 Programs + 1 auxiliary function
- 1 - 24 hour delay start
- Black stainless steel finish
- Push button controls
- LED display
- Premium basket handles
- EasyLift upper basket
- Adjustable plate racks
- 2 Spray arms

- Concealed heating element
- Overflow protection
- Rinse aid indicator
- Child lock
- Removable top
- 3 Stars MEPS energy rating
- 310kW total energy consumption
- 4 Stars WELS water rating
- 13.8L total water consumption
- 2 year warranty



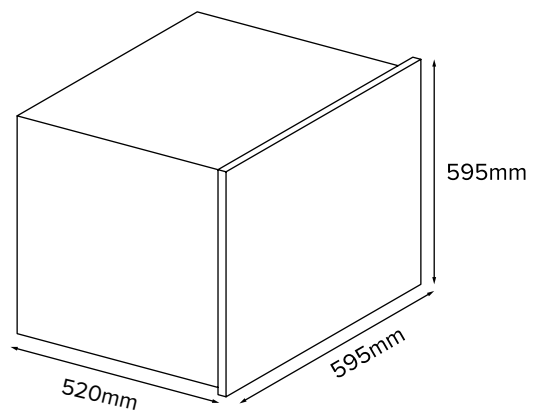
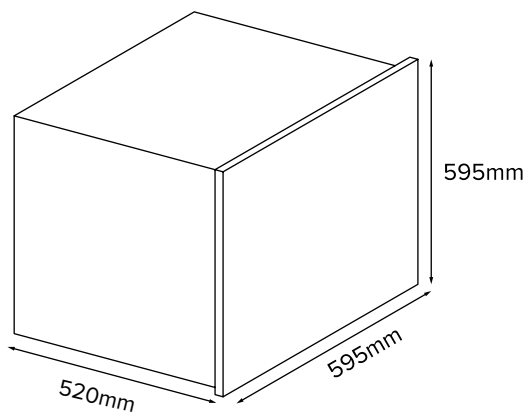
A dark, moody photograph of a bowl of granola. The bowl is filled with golden-brown granola clusters, fresh raspberries, and blackberries. A dollop of white yogurt is placed on top. The background is dark and out of focus, showing a jar of granola and a bowl of berries. The text "TECHNICAL SPECIFICATIONS" is overlaid in white, bold, sans-serif font.

# TECHNICAL SPECIFICATIONS

# BUILT-IN OVENS

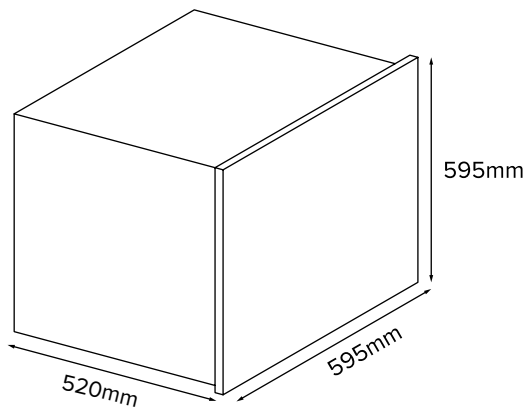
MODEL	TGO65X
Type	Convection oven and grill
Fuel	Electric
<b>OVEN FUNCTIONS</b>	
Full grill	Yes
Fan grill	Yes
Fan forced	Yes
Defrost	Yes
Light	Yes
<b>OVEN FEATURES</b>	
Gross capacity (L)	85
Controls	Knob
No. of shelves	2
No. of shelf positions	5
Lights	1
Safety switch-off	Yes
Door opening	Drop-down
<b>TIMER</b>	
Minute minder	Yes
Automatic cooking timer	Yes
<b>ACCESSORIES (INCLUDED)</b>	
Grill insert	1
Baking tray	1
Wire shelves	2
<b>INSTALLATION</b>	
Electrical connection	10A plug
Power	220 - 240V / 50Hz
Cavity cooling system	Yes
Flush fit	Yes
<b>DIMENSIONS (W x H x D)</b>	
Product (mm)	595 x 595 x 520
Cut out (mm)	597 x 595 x 572

MODEL	TGO66TX
Type	Multi-function oven
Fuel	Electric
<b>OVEN FUNCTIONS</b>	
Light	Yes
Grill	Yes
Fan Grill	Yes
Fan Forced	Yes
Defrost	Yes
Intensive Bake	Yes
<b>OVEN FEATURES</b>	
Gross capacity (L)	85
Controls	Knob
No. of shelves	2
No. of shelf positions	5
Lights	1
Safety switch-off	Yes
Door opening	Drop-down
<b>TIMER</b>	
Minute minder	Yes
Programmable timer	Yes
<b>ACCESSORIES (INCLUDED)</b>	
Telescopic rail set	1 removable
Wire shelves	2
Baking tray	1
Grill insert	1
<b>INSTALLATION</b>	
Electrical connection	15A plug
Power	220 - 240V / 50Hz
Cavity cooling system	Yes
Flush fit	Yes
<b>DIMENSIONS (W x H x D)</b>	
Product (mm)	595 x 595 x 520
Cut out (mm)	597 x 595 x 572

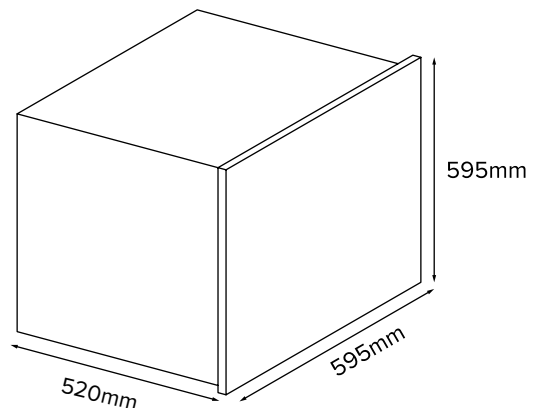


# BUILT-IN OVENS

MODEL	TGO614ABK
Type	Multi-function air fry oven
Fuel	Electric
OVEN FUNCTIONS	
Conventional	Yes
Grill	Yes
Fan Grill	Yes
Pizza	Yes
Fan Forced	Yes
Fan Assisted	Yes
Pastry Bake	Yes
Half Grill	Yes
Multi Cooking	Yes
Plate Warming	Yes
ECO	Yes
Dough Proving	Yes
Defrost	Yes
Air Fry	Yes
Steam Clean	Yes
OVEN FEATURES	
Gross capacity (L)	85
Controls	Full touch
No. of shelves	2
No. of shelf positions	5
Lights	1
Safety switch-off	Yes
Door opening	Drop-down
TIMER	
Minute minder	Yes
Programmable touch timer	Yes
Child lock	Yes
ACCESSORIES (INCLUDED)	
Telescopic Rail Set	1
Wire Shelves	2
Baking Tray	1
Grill Insert	1
Air Fry Basket	1
INSTALLATION	
Electrical connection	15A plug
Power	220 - 240V / 50Hz
Cavity cooling system	Yes
Flush fit	Yes
DIMENSIONS (W x H x D)	
Product (mm)	595 x 595 x 520
Cut out (mm)	597 x 596 x 572

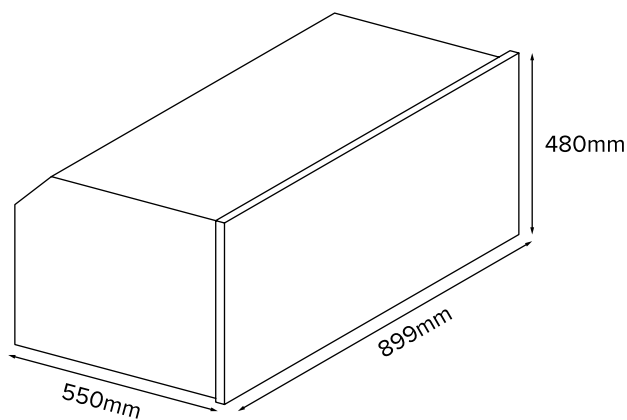


MODEL	TGPO611ABK
Type	Multi-function pyrolytic, air fry oven
Fuel	Electric
OVEN FUNCTIONS	
Multi Cooking	Yes
Defrost	Yes
Conventional	Yes
Fan Assisted	Yes
Fan Forced	Yes
Half Grill	Yes
Grill	Yes
Fan Grill	Yes
Pizza	Yes
Air Fry	Yes
Pyro Clean	Yes
OVEN FEATURES	
Gross capacity (L)	85
Controls	Central dial + touch control
No. of shelves	2
No. of shelf positions	5
Lights	1
Safety switch-off	Yes
Door opening	Drop-down
TIMER	
Minute minder	Yes
Programmable touch timer	Yes
Child lock	Yes
ACCESSORIES (INCLUDED)	
Telescopic Rail Set	1
Wire Shelves	2
Baking Tray	1
Grill Insert	1
Air Fry Basket	1
INSTALLATION	
Electrical connection	15A hardwire
Power	220 - 240V / 50Hz
Cavity cooling system	Yes
Flush fit	Yes
DIMENSIONS (W x H x D)	
Product (mm)	595 x 595 x 520
Cut out (mm)	597 x 596 x 572



# BUILT-IN OVENS

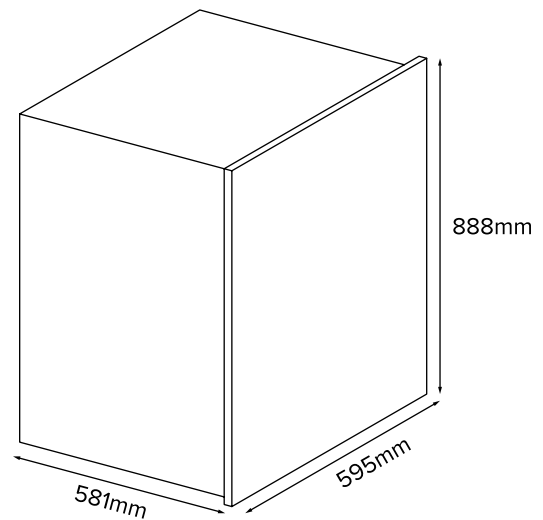
MODEL		TGO910TBK
Type	Multi-function oven	
Fuel	Electric	
OVEN FUNCTIONS		
Full grill	Yes	
Fan grill	Yes	
Conventional	Yes	
Fan assist	Yes	
Fan forced	Yes	
Top heat	Yes	
Base heat + fan	Yes	
MultiCooking	Yes	
Pizza	Yes	
Defrost	Yes	
OVEN FEATURES		
Gross capacity (L)	110	
Controls	Full touch	
No. of shelves	2	
No. of shelf positions	4	
Lights	2	
Safety switch-off	Yes	
Door opening	Drop-down	
TIMER		
Minute minder	Yes	
Programmable touch timer	Yes	
Child lock	Yes	
ACCESSORIES (INCLUDED)		
Telescopic Rail Set	1	
Baking Tray	1	
Grill Insert	1	
Wire Shelves	2	
INSTALLATION		
Electrical connection	15A hardwire	
Power	220 - 240V / 50Hz	
Cavity cooling system	Yes	
DIMENSIONS (W x H x D)		
Product (mm)	899 x 480 x 550	
Cut out (mm)	900 x 482 x 570	





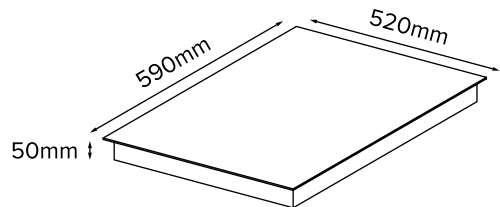
# BUILT-IN OVENS

MODEL		TGDO84TBK
Type	Multi-function double oven	
Fuel	Electric	
OVEN 1		
Position	Top	
Type	Conventional oven and grill	
OVEN 1 FUNCTIONS		
Full grill	Yes	
Conventional	Yes	
Base heat	Yes	
Light	Yes	
OVEN 1 FEATURES		
Gross capacity (L)	38	
Controls	Knob	
No. of shelves	1	
No. of shelf positions	3	
Lights	1	
Safety switch-off	Yes	
Door opening	Drop-down	
OVEN 2		
Position	Bottom	
Type	Multi-function oven	
OVEN 2 FUNCTIONS		
Light	Yes	
Conventional	Yes	
Delicate	Yes	
Top Heat	Yes	
Grill	Yes	
Fan Grill	Yes	
Fan Forced	Yes	
Defrost	Yes	
OVEN 2 FEATURES		
Gross capacity (L)	67	
Controls	Knob	
No. of shelves	2	
No. of shelf positions	5	
Lights	1	
Safety switch-off	Yes	
Door opening	Drop-down	
TIMER		
Minute minder	Yes	
Programmable touch timer	Yes	
ACCESSORIES (INCLUDED)		
Telescopic Rail Set	1 removable	
Wire Shelves	3	
Baking Trays	2	
Grill Insert	1	
INSTALLATION		
Electrical connection	22A hardwire	
Power	220 - 240V / 50Hz	
Cavity cooling system	Yes	
Flush fit	Yes	
DIMENSIONS (W x H x D)		
Product (mm)	595 x 888 x 580	
Cut out (mm)	597 x 890 x 580	

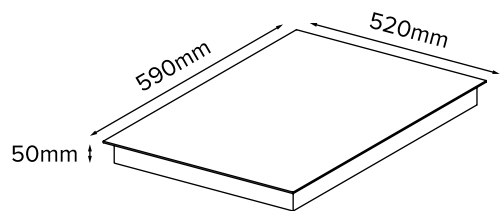


# COOKTOPS

MODEL		TGGCM64-5
Type	Ceramic glass	
Fuel	Electric	
COOKTOP FUNCTIONS		
Front left (kW)	200mm (1.8)	
Rear left (kW)	165mm (1.2)	
Front right (kW)	165mm (1.2)	
Rear right (kW)	200mm (1.8)	
No. of power levels	9	
COOKTOP FEATURES		
Controls	Knob	
Residual heat indicators	Yes	
On / off indicator	Yes	
Safety switch-off	Yes	
INSTALLATION		
Electrical connection	25A hardwire	
Power	220 - 240V / 50Hz	
DIMENSIONS (W x H x D)		
Product (mm)	590 x 50 x 520	
Cut out (mm)	565 x 46 x 495	

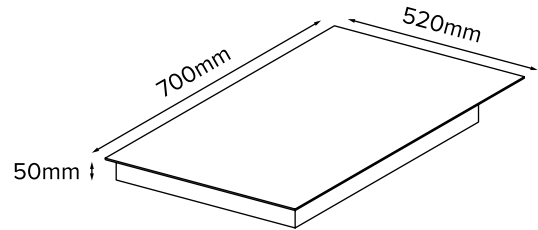


MODEL		TGGCE64-5
Type	Ceramic glass	
Fuel	Electric	
COOKTOP FUNCTIONS		
Front left (kW)	140 - 230mm (1.1 / 2.2)	
Rear left (kW)	165mm (1.2)	
Front right (kW)	165mm (1.2)	
Rear right (kW)	200mm (1.8)	
No. of power levels	9	
COOKTOP FEATURES		
Controls	Slide touch	
Residual heat indicators	Yes	
On / off indicator	Yes	
Safety switch-off	Yes	
Extendable zones	1	
TIMER		
Automatic cooking timer	Yes	
Child lock	Yes	
INSTALLATION		
Electrical connection	27A hardwire	
Power	220 - 240V / 50Hz	
DIMENSIONS (W x H x D)		
Product (mm)	590 x 50 x 520	
Cut out (mm)	565 x 46 x 495	

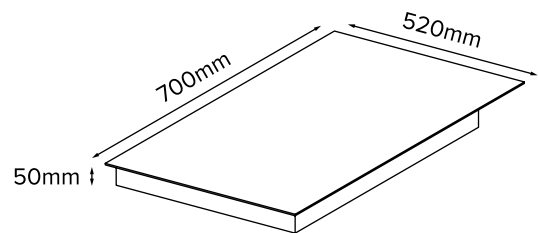


# COOKTOPS

MODEL		TGGCM74
Type	Ceramic glass	
Fuel	Electric	
COOKTOP FUNCTIONS		
Front left (kW)	200mm (1.8)	
Rear left (kW)	165mm (1.2)	
Front right (kW)	165mm (1.2)	
Rear right (kW)	200mm (1.8)	
No. of power levels	9	
COOKTOP FEATURES		
Controls	Knob	
Residual heat indicators	Yes	
On / off indicator	Yes	
Safety switch-off	Yes	
INSTALLATION		
Electrical connection	25A hardwire	
Power	220 - 240V / 50Hz	
DIMENSIONS (W x H x D)		
Product (mm)	700 x 50 x 520	
Cut out (mm)	565 x 46 x 495	

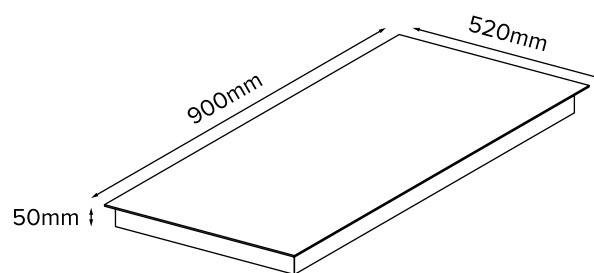


MODEL		TGGCE74
Type	Ceramic glass	
Fuel	Electric	
COOKTOP FUNCTIONS		
Front left (kW)	140 - 230mm (1.1 / 2.2)	
Rear left (kW)	165mm (1.2)	
Front right (kW)	165mm (1.2)	
Rear right (kW)	200mm (1.8)	
No. of power levels	9	
COOKTOP FEATURES		
Controls	Slide touch	
Residual heat indicators	Yes	
On / off indicator	Yes	
Safety switch-off	Yes	
Extendable zones	1	
TIMER		
Automatic cooking timer	Yes	
Child lock	Yes	
INSTALLATION		
Electrical connection	27A hardwire	
Power	220 - 240V / 50Hz	
DIMENSIONS (W x H x D)		
Product (mm)	700 x 50 x 520	
Cut out (mm)	565 x 46 x 495	



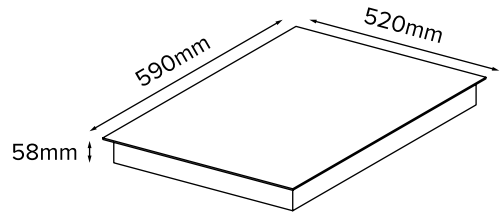
# COOKTOPS

MODEL		95HTSS-5
Type	Ceramic glass	
Fuel	Electric	
COOKTOP FUNCTIONS		
Front left (kW)	140 - 230mm (1.1 / 2.2)	
Rear left (kW)	165mm (1.2)	
Centre (kW)	165 x 270mm (1 / 2)	
Front right (kW)	200mm (1.8)	
Rear right (kW)	200mm (1.8)	
No. of power levels	9	
Keep warm	Yes	
Pause	Yes	
COOKTOP FEATURES		
Controls	Slide touch	
Residual heat indicators	Yes	
On / off indicator	Yes	
Safety switch-off	Yes	
Extendable zones	2	
TIMER		
Automatic cooking timer	Yes	
Child lock	Yes	
INSTALLATION		
Electrical connection	37.5A hardwire	
Power	220 - 240V / 50Hz	
DIMENSIONS (W x H x D)		
Product (mm)	900 x 50 x 520	
Cut out (mm)	860 x 46 x 495	

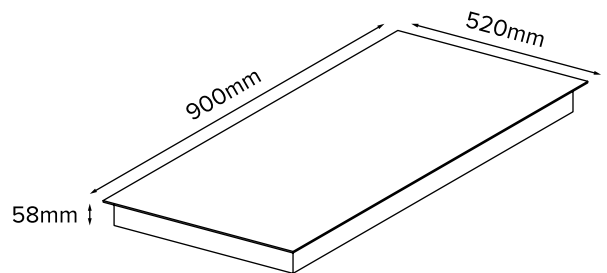


# COOKTOPS

MODEL	TGC6IND-5
Type	Induction
Fuel	Electric
COOKTOP FUNCTIONS	
Front left (kW)	190 x 210mm (1.8 / 2.1 Boost)
Rear left (kW)	190 x 210mm (1.8 / 2.1 Boost)
Left (kW)	210 x 400mm (3 / 3.6 Boost)
Front right (kW)	160mm (1.2 / 1.5 Boost)
Rear right (kW)	210mm (2.3 / 3 Boost)
No. of power levels	9 + Boost
COOKTOP FEATURES	
Controls	Slide touch
Pan sensors	Yes
Residual heat indicators	Yes
On / off indicator	Yes
Safety switch-off	Yes
Smart Flexi-Zones	1
TIMER	
Automatic cooking timer	Yes
Child lock	Yes
INSTALLATION	
Electrical connection	30A hardwire
Power	220 - 240V / 50Hz
DIMENSIONS (W x H x D)	
Product (mm)	590 x 58 x 520
Cut out (mm)	565 x 54 x 495

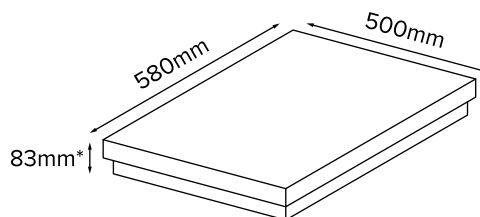


MODEL	TGC9IND-5
Type	Induction
Fuel	Electric
COOKTOP FUNCTIONS	
Front left (kW)	190 x 210mm (1.8 / 2.1 Boost)
Rear left (kW)	190 x 210mm (1.8 / 2.1 Boost)
Left (kW)	210 x 400mm (3 / 3.6 Boost)
Centre (kW)	280mm (3 / 4 Boost)
Front right (kW)	190 x 210mm (1.8 / 2.1 Boost)
Rear right (kW)	190 x 210mm (1.8 / 2.1 Boost)
Right (kW)	210 x 400mm (3 / 3.6 Boost)
No. of power levels	9 + Boost
COOKTOP FEATURES	
Controls	Slide touch
Pan sensors	Yes
Residual heat indicators	Yes
On / off indicator	Yes
Safety switch-off	Yes
Smart Flexi-Zones	2
TIMER	
Automatic cooking timer	Yes
Child lock	Yes
INSTALLATION	
Electrical connection	45A hardwire
Power	220 - 240V / 50Hz
DIMENSIONS (W x H x D)	
Product (mm)	900 x 58 x 520
Cut out (mm)	860 x 54 x 495



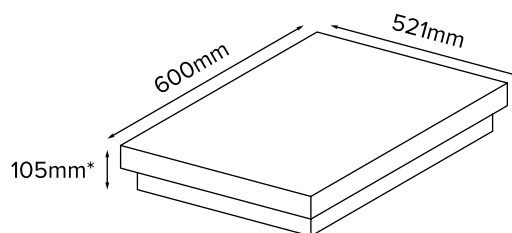
# COOKTOPS

MODEL	TGC6GX
Type	Stainless steel
Fuel	Gas
COOKTOP FUNCTIONS	
Front left (MJ)	Wok (14)
Rear left (MJ)	Semi-rapid (6.6)
Front right (MJ)	Auxiliary (3.9)
Rear right (MJ)	Semi-rapid (6.6)
COOKTOP FEATURES	
Controls	Knob
Trivets	Cast iron
Ignition	Automatic
Flame safety device	Yes
ACCESSORIES (INCLUDED)	
Wok trivet	1
Mini trivet	1
INSTALLATION	
Electrical connection	10A plug
Power	240V / 50Hz
Gas type	NG / LPG
Gas inlet type	½" BSP male
Gas inlet position	Rear right
LPG conversion kit included	Yes
DIMENSIONS (W x H x D)	
Product (mm)	580 x 83* x 500
Cut out (mm)	560 x 35 x 480



\*Height includes trivets

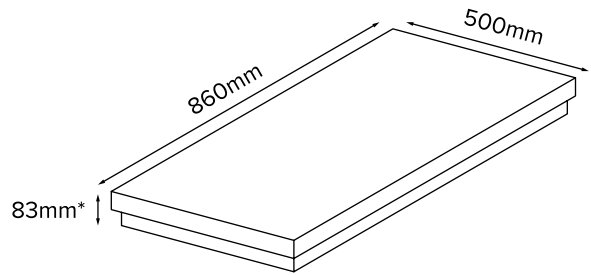
MODEL	TGC6GBK
Type	Gas on glass
Fuel	Gas
COOKTOP FUNCTIONS	
Front left (MJ)	Wok (14)
Rear left (MJ)	Semi-rapid (6.6)
Front right (MJ)	Auxiliary (3.9)
Rear right (MJ)	Semi-rapid (6.6)
COOKTOP FEATURES	
Controls	Knob
Trivets	Cast iron
Ignition	Automatic
Flame safety device	Yes
ACCESSORIES (INCLUDED)	
Wok trivet	1
Mini trivet	1
INSTALLATION	
Electrical connection	10A plug
Power	240V / 50Hz
Gas type	NG / LPG
Gas inlet type	½" BSP male
Gas inlet position	Rear right
LPG conversion kit included	Yes
DIMENSIONS (W x H x D)	
Product (mm)	600 x 105* x 521
Cut out (mm)	560 x 45 x 480



\*Height includes trivets

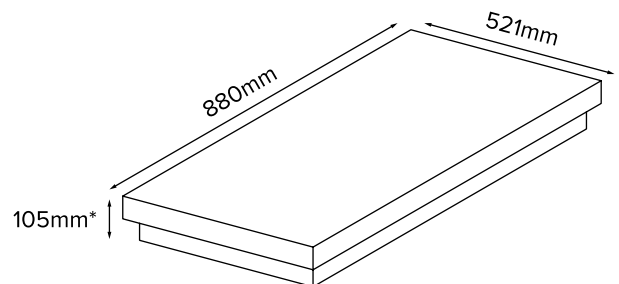
# COOKTOPS

MODEL	TGC9GLX
Type	Stainless steel
Fuel	Gas
COOKTOP FUNCTIONS	
Left (MJ)	Wok - dual control (2.6 / 17)
Front centre (MJ)	Auxiliary (3.9)
Rear centre (MJ)	Rapid (10.8)
Front right (MJ)	Semi-rapid (6.6)
Rear right (MJ)	Semi-rapid (6.6)
COOKTOP FEATURES	
Controls	Knob
Trivets	Cast iron
Ignition	Automatic
Flame safety device	Yes
ACCESSORIES (INCLUDED)	
Wok trivet	1
Mini trivet	1
INSTALLATION	
Electrical connection	10A plug
Power	240V / 50Hz
Gas type	NG / LPG
Gas inlet type	½" BSP male
Gas inlet position	Rear left
LPG conversion kit included	Yes
DIMENSIONS (W x H x D)	
Product (mm)	860 x 83* x 500
Cut out (mm)	840 x 35 x 480



\*Height includes trivets

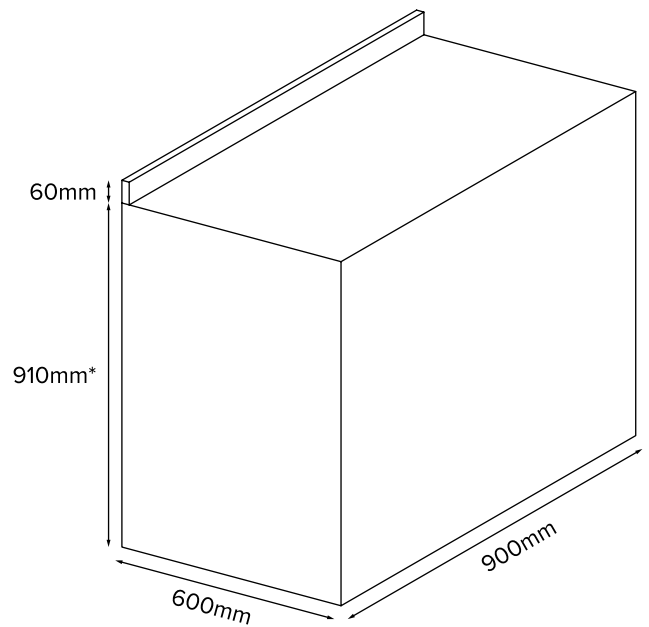
MODEL	TGC9GLBK
Type	Gas on glass
Fuel	Gas
COOKTOP FUNCTIONS	
Left (MJ)	Wok - dual control (2.6 / 17)
Front centre (MJ)	Auxiliary (3.9)
Rear centre (MJ)	Rapid (10.8)
Front right (MJ)	Semi-rapid (6.6)
Rear right (MJ)	Semi-rapid (6.6)
COOKTOP FEATURES	
Controls	Knob
Trivets	Cast iron
Ignition	Automatic
Flame safety device	Yes
ACCESSORIES (INCLUDED)	
Wok trivet	1
Mini trivet	1
INSTALLATION	
Electrical connection	10A plug
Power	240V / 50Hz
Gas type	NG / LPG
Gas inlet type	½" BSP male
Gas inlet position	Rear left
LPG conversion kit included	Yes
DIMENSIONS (W x H x D)	
Product (mm)	880 x 105* x 521
Cut out (mm)	840 x 45 x 480



\*Height includes trivets

# FREESTANDING COOKERS

MODEL		TEG95DUA-2
Type	Dual fuel freestanding cooker	
COOKTOP		
Type	Gas burners	
Fuel	Gas	
COOKTOP FUNCTIONS		
Left (MJ)	Wok (14.5)	
Front centre (MJ)	Rapid (11)	
Rear centre (MJ)	Semi-rapid (6.8)	
Front right (MJ)	Auxiliary (3.8)	
Rear right (MJ)	Semi-rapid (6.8)	
COOKTOP FEATURES		
Controls	Knob	
Trivets	Cast iron	
Ignition	Automatic	
Flame safety device	Yes	
OVEN		
Type	Multi-function oven	
Fuel	Electric	
OVEN FUNCTIONS		
Full grill	Yes	
Half grill	Yes	
Fan grill	Yes	
Conventional	Yes	
Fan forced	Yes	
Base heat + fan	Yes	
Defrost	Yes	
Light	Yes	
OVEN FEATURES		
Gross capacity (L)	115	
Controls	Knob	
No. of shelves	2	
No. of shelf positions	4	
Lights	2	
Safety switch-off	Yes	
Door opening	Drop-down	
Storage drawer	Yes	
TIMER		
Minute minder	Yes	
Programmable timer	Yes	
Child lock	Yes	
ACCESSORIES (INCLUDED)		
Wok trivet	1	
Grill tray with wire rack	1	
INSTALLATION		
Electrical connection	15A plug	
Power	220 - 240V / 50Hz	
Gas type	NG / LPG	
Gas inlet type	½" BSP male	
Gas inlet position	Rear left / right	
LPG conversion kit included	Yes	
Cavity cooling system	Yes	
DIMENSIONS (W x H x D)		
Product (mm)	900 x 910* x 600	
Minimum gap required (mm)	900	

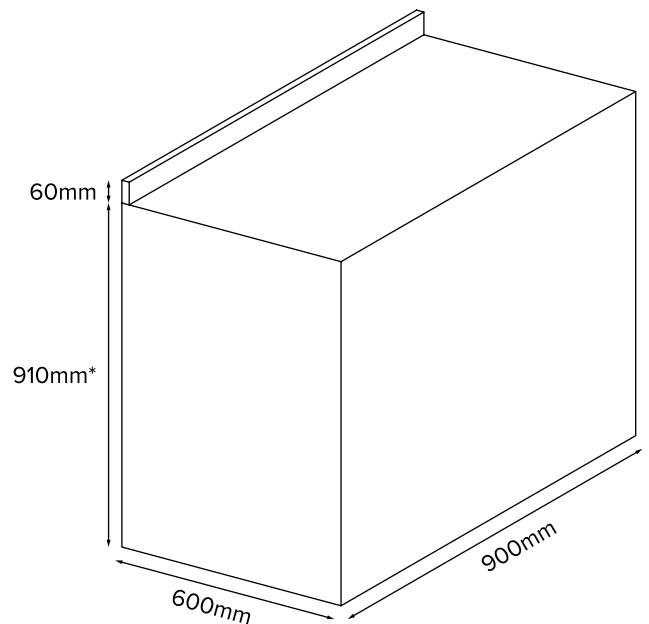


\*Height includes leveling feet



# FREESTANDING COOKERS

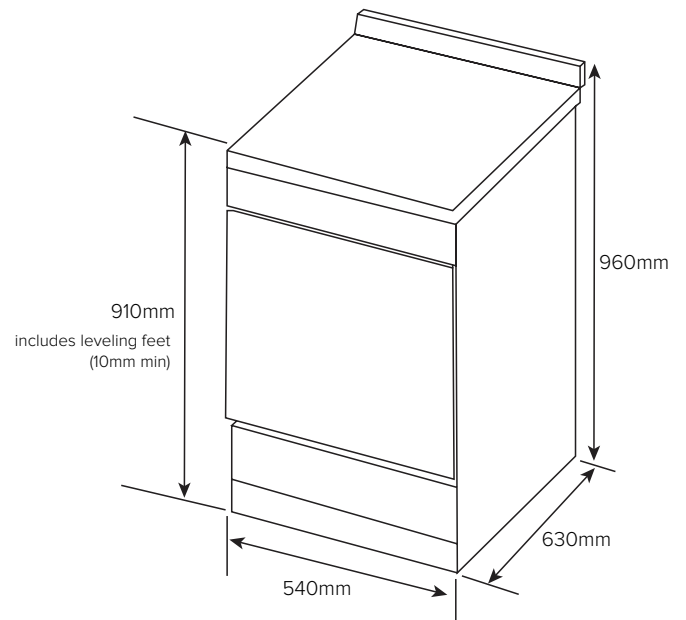
MODEL		TEG95TBK
Type	Dual fuel freestanding cooker	
COOKTOP		
Type	Gas burners	
Fuel	Gas	
COOKTOP FUNCTIONS		
Front left (MJ)	Wok (14.5)	
Rear left (MJ)	Semi-rapid (6.8)	
Centre (MJ)	Wok (14.5)	
Front right (MJ)	Wok (14.5)	
Rear right (MJ)	Semi-rapid (6.8)	
COOKTOP FEATURES		
Controls	Knob	
Trivets	Cast iron	
Ignition	Automatic	
Flame safety device	Yes	
OVEN		
Type	Multi-function oven	
Fuel	Electric	
OVEN FUNCTIONS		
Full grill	Yes	
Half grill	Yes	
Fan grill	Yes	
Conventional	Yes	
Fan forced	Yes	
Base heat + fan	Yes	
Defrost	Yes	
Light	Yes	
OVEN FEATURES		
Gross capacity (L)	115	
Controls	Knob	
No. of shelves	2	
No. of shelf positions	4	
Lights	2	
Safety switch-off	Yes	
Door opening	Drop-down	
Storage drawer	Yes	
TIMER		
Minute minder	Yes	
Programmable timer	Yes	
Child lock	Yes	
ACCESSORIES (INCLUDED)		
Wok trivet	1	
Dual telescopic rails	1 removable	
Grill tray with wire rack	1	
INSTALLATION		
Electrical connection	15A plug	
Power	220 - 240V / 50Hz	
Gas type	NG / LPG	
Gas inlet type	½" BSP male	
Gas inlet position	Rear left / right	
LPG conversion kit included	Yes	
Cavity cooling system	Yes	
DIMENSIONS (W x H x D)		
Product (mm)	900 x 910* x 600	
Minimum gap required (mm)	900	



\*Height includes leveling feet

# FREESTANDING COOKERS

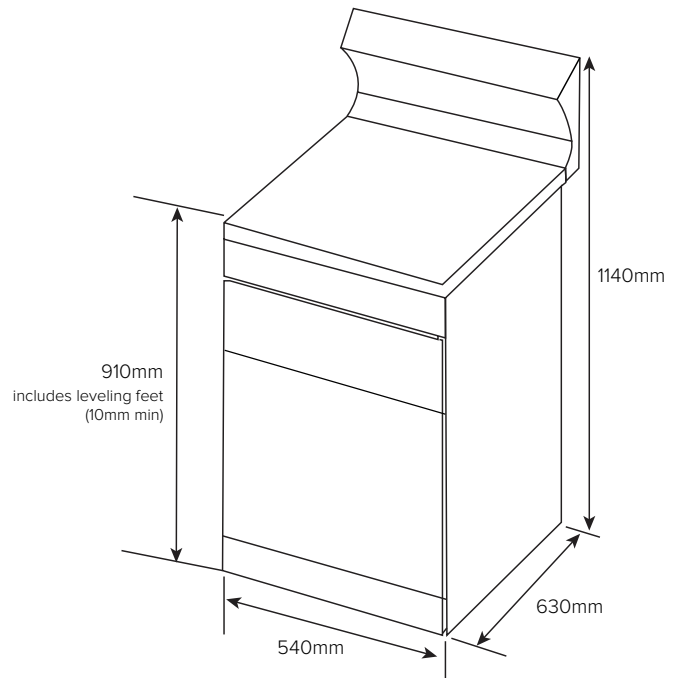
<b>MODEL</b>	<b>TF554FC-SES</b>
Type	Electric freestanding cooker
<b>COOKTOP</b>	
Type	Hotplate elements
Fuel	Electric
<b>COOKTOP FUNCTIONS</b>	
Front left (kW)	180mm (1.5)
Rear left (kW)	145mm (1.0)
Front right (kW)	145mm (1.0)
Rear right (kW)	180mm (1.5)
No. of power levels	6
<b>COOKTOP FEATURES</b>	
Controls	Knob
On / off indicator	Yes
<b>OVEN</b>	
Type	Multi-function oven
Fuel	Electric
<b>OVEN FUNCTIONS</b>	
Full grill	Yes
Fan grill	Yes
Fan forced	Yes
Defrost	Yes
Light	Yes
<b>OVEN FEATURES</b>	
Gross capacity (L)	83
Controls	Knob
No. of shelves	2
No. of shelf positions	5
Lights	1
Safety switch-off	Yes
Door opening	Drop-down
<b>ACCESSORIES (INCLUDED)</b>	
Wire Shelves	2
Baking Tray	1
Grill Insert	1
<b>INSTALLATION</b>	
Electrical connection	32A hardwire
Power	220-240V / 50-60Hz
Cavity cooling system	Yes
<b>DIMENSIONS (W x H x D)</b>	
Product (mm)	540 x 910* x 630
Minimum gap required (mm)	550



\*Height includes leveling feet

# FREESTANDING COOKERS

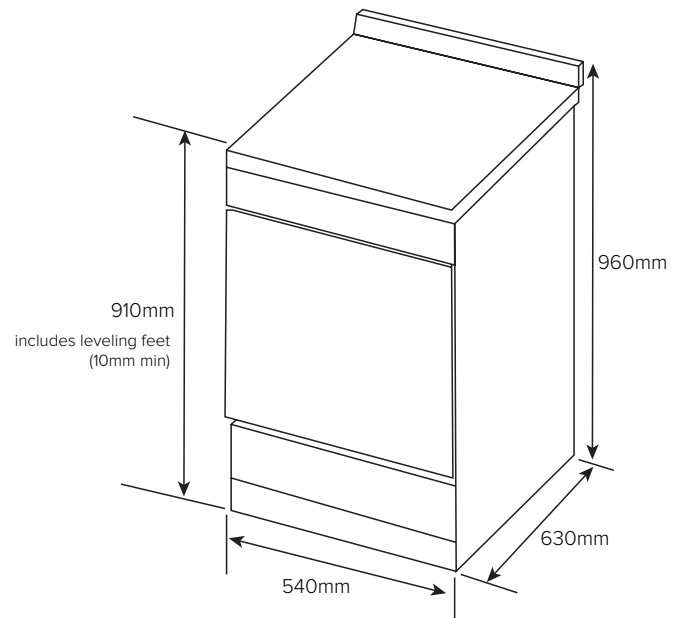
<b>MODEL</b>	<b>TFS54RC-DRW</b>
Type	Electric freestanding cooker
<b>COOKTOP</b>	
Type	Electric coil
Fuel	Electric
<b>COOKTOP FUNCTIONS</b>	
Front left (kW)	180mm (2.1)
Rear left (kW)	145mm (1.3)
Front right (kW)	145mm (1.3)
Rear right (kW)	145mm (1.3)
No. of power levels	6
<b>COOKTOP FEATURES</b>	
Controls	Knob
On / off indicator	Yes
<b>OVEN</b>	
Type	Multi-function oven
Fuel	Electric
<b>OVEN FUNCTIONS</b>	
Full grill	Yes
Fan grill	Yes
Fan forced	Yes
Defrost	Yes
Light	Yes
<b>OVEN FEATURES</b>	
Gross capacity (L)	83
Controls	Knob
No. of shelves	2
No. of shelf positions	5
Lights	1
Safety switch-off	Yes
Door opening	Drop-down
<b>GRILL</b>	
Type	Conventional grill
Fuel	Electric
<b>GRILL FEATURES</b>	
Gross Capacity (L)	20
No. of shelf positions	1
Door opening	Drop-down
<b>ACCESSORIES (INCLUDED)</b>	
Wire Shelves	2
Baking Tray	1
Grill Insert	1
<b>INSTALLATION</b>	
Electrical connection	32A hardwire
Power	240V / 50Hz
Cavity cooling system	Yes
<b>DIMENSIONS (W x H x D)</b>	
Product (mm)	540 x 910* x 630
Minimum gap required (mm)	550



\*Height includes leveling feet

# FREESTANDING COOKERS

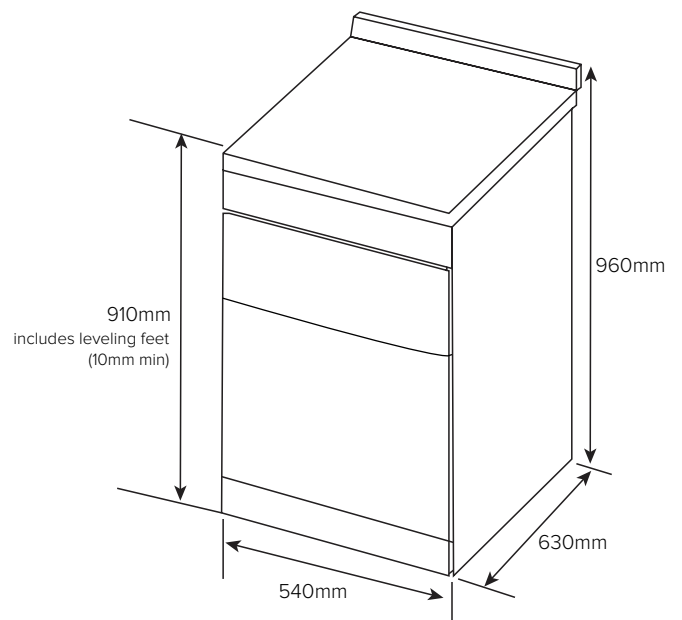
<b>MODEL</b>	<b>TFS54FC-SGW</b>
Type	Gas freestanding cooker
<b>COOKTOP</b>	
Type	Gas burners
Fuel	Gas
<b>COOKTOP FUNCTIONS</b>	
Front left (MJ)	Rapid (12)
Rear left (MJ)	Semi-rapid (6.7)
Front right (MJ)	Auxiliary (4)
Rear right (MJ)	Semi-rapid (6.7)
<b>COOKTOP FEATURES</b>	
Controls	Knob
Trivets	Cast iron
Ignition	Battery
Flame safety device	Yes
<b>OVEN</b>	
Type	Conventional oven
Fuel	Gas
<b>OVEN FUNCTIONS</b>	
Full gas oven	Yes
Grill	Yes
<b>OVEN FEATURES</b>	
Gross capacity (L)	83
Controls	Knob
No. of shelves	2
No. of shelf positions	5
Flame safety device	Yes
Door opening	Drop-down
<b>ACCESSORIES (INCLUDED)</b>	
Wire Shelves	2
Baking Tray	1
Grill Insert	1
<b>INSTALLATION</b>	
Gas type	NG / ULPG
LPG conversion kit included	Yes
Gas inlet type	½" BSP male
Gas Input	NG 46.4MJ/h / ULPG 48.5MJ/h
<b>DIMENSIONS (W x H x D)</b>	
Product (mm)	540 x 910* x 630
Minimum gap required (mm)	550



\*Height includes leveling feet

# FREESTANDING COOKERS

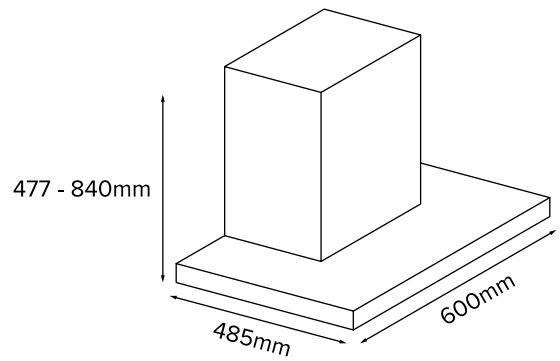
<b>MODEL</b>	<b>TFS54FC-DGW</b>
Type	Gas freestanding cooker
<b>COOKTOP</b>	
Type	Gas burners
Fuel	Gas
<b>COOKTOP FUNCTIONS</b>	
Front left (MJ)	Wok (13.7)
Rear left (MJ)	Semi-rapid (6.3)
Front right (MJ)	Auxiliary (3.6)
Rear right (MJ)	Semi-rapid (6.3)
<b>COOKTOP FEATURES</b>	
Controls	Knob
Trivets	Cast iron
Wok support	Cast iron
Ignition	Automatic
Flame safety device	Yes
<b>OVEN</b>	
Type	Convection oven
Fuel	Gas
<b>OVEN FUNCTIONS</b>	
Fan Assisted	Yes
<b>OVEN FEATURES</b>	
Gross capacity (L)	83
Controls	Knob
No. of shelves	2
No. of shelf positions	5
Lights	1
Flame safety device	Yes
Door opening	Drop-down
<b>GRILL</b>	
Type	Conventional grill
Fuel	Electric
<b>GRILL FEATURES</b>	
Gross Capacity (L)	20
No. of shelf positions	1
Door opening	Drop-down
<b>FUEL: ELECTRIC</b>	
Wire Shelves	2
Baking Tray	1
Grill Insert	1
<b>INSTALLATION</b>	
Electrical connection	10A plug
Power	220-240V / 50-60Hz
Gas type	NG / ULPG
LPG conversion kit included	Yes
Gas inlet type	½" BSP male
Gas Input	NG 39.88MJ/h / ULPG 38.88MJ/h
Cavity cooling system	Yes
<b>DIMENSIONS (W x H x D)</b>	
Product (mm)	540 x 910* x 630
Minimum gap required (mm)	550



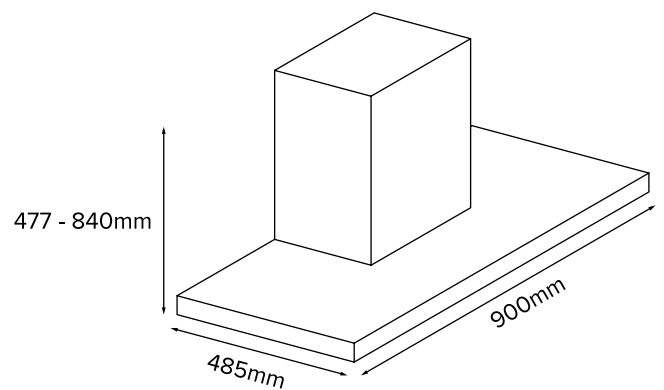
\*Height includes leveling feet

# RANGEHOODS

MODEL	TCR60BK
Type	Canopy
Extraction	Ducted
RANGEHOOD FUNCTIONS	
No. of fan speeds	4 + Turbo
Lights	2 2W LED
RANGEHOOD FEATURES	
Maximum airflow (m3/h)	1000
Maximum noise level (dBA)	74
Controls	Sensor touch
Filters	2 stainless steel baffle
Timer	Yes
INSTALLATION	
Electrical connection	10A plug
Power	240V / 50Hz
Motor (W)	320
DIMENSIONS (W x H x D)	
Product (mm)	600 x 477 - 840 x 485
Minimum gap required (mm)	601



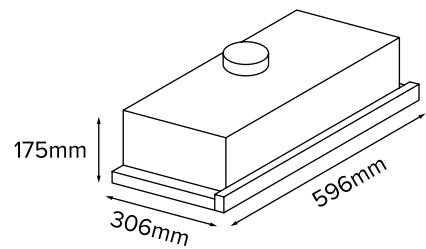
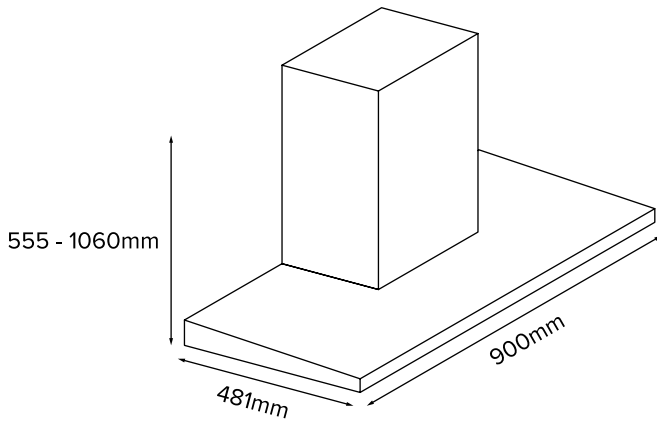
MODEL	TCR90BK
Type	Canopy
Extraction	Ducted
RANGEHOOD FUNCTIONS	
No. of fan speeds	4 + Turbo
Lights	2 2W LED
RANGEHOOD FEATURES	
Maximum airflow (m3/h)	1000
Maximum noise level (dBA)	74
Controls	Sensor touch
Filters	3 stainless steel baffle
Timer	Yes
INSTALLATION	
Electrical connection	10A plug
Power	240V / 50Hz
Motor (W)	320
DIMENSIONS (W x H x D)	
Product (mm)	900 x 477 - 840 x 485
Minimum gap required (mm)	901



# RANGEHOODS

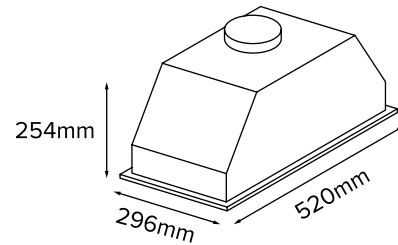
MODEL	LOF26A9S
Type	Canopy
Extraction	Ducted
RANGEHOOD FUNCTIONS	
No. of fan speeds	4
Lights	2 1W LED
RANGEHOOD FEATURES	
Maximum airflow (m3/h)	760
Maximum noise level (dBA)	69.9
Controls	Push button
Filters	3 aluminium mesh
Timer	Yes
Drip tray	Yes
INSTALLATION	
Electrical connection	10A plug
Power	240V / 50Hz
Motor (W)	198
DIMENSIONS (W x H x D)	
Product (mm)	900 x 555 - 1060 x 481
Minimum gap required (mm)	901

MODEL	TGSL6DRX
Type	Slide-out
Extraction	Ducted / recirculating
RANGEHOOD FUNCTIONS	
No. of fan speeds	2
Lights	2 3W LED
RANGEHOOD FEATURES	
Maximum airflow (m3/h)	440
Maximum noise level (dBA)	71
Controls	Switch
Filters	2 aluminium mesh
INSTALLATION	
Electrical connection	10A plug
Power	220 - 240V / 50Hz
Motor (W)	200
Carbon filters included	2
Fascia panels included	40mm + 80mm
DIMENSIONS (W x H x D)	
Product (mm)	596 x 175 x 306
Cut out (mm)	600 x 175 x 306

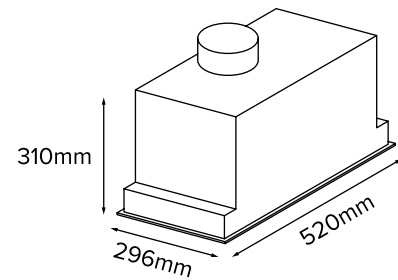


# RANGEHOODS

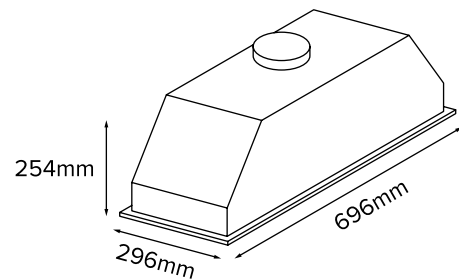
MODEL	TGU52S
Type	Undermount
Extraction	Ducted
RANGEHOOD FUNCTIONS	
No. of fan speeds	3
Lights	2 2W LED
RANGEHOOD FEATURES	
Maximum airflow (m3/h)	700
Maximum noise level (dBA)	59
Controls	Push button
Filters	1 aluminium / stainless steel honeycomb
INSTALLATION	
Electrical connection	10A plug
Power	220 - 240V / 50Hz
Motor (W)	190
DIMENSIONS (W x H x D)	
Product (mm)	520 x 254 x 296
Cut out (mm)	488 x 254 x 263



MODEL	TGU52BK
Type	Undermount
Extraction	Ducted
RANGEHOOD FUNCTIONS	
No. of fan speeds	3
Lights	2 2W LED strip
RANGEHOOD FEATURES	
Maximum airflow (m3/h)	1000
Maximum noise level (dBA)	60
Controls	Sensor touch
Filters	1 aluminium mesh
Timer	Yes
INSTALLATION	
Electrical connection	10A plug
Power	220 - 240V / 50Hz
Motor (W)	265
DIMENSIONS (W x H x D)	
Product (mm)	520 x 310 x 296
Cut out (mm)	500 x 305 x 275



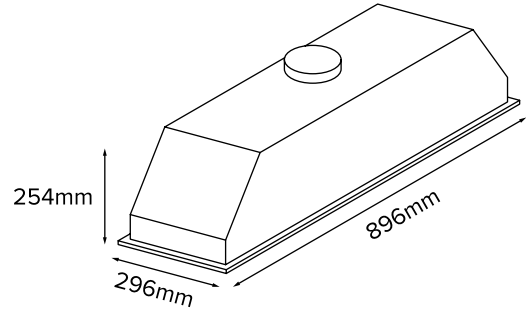
MODEL	TGU70S
Type	Undermount
Extraction	Ducted
RANGEHOOD FUNCTIONS	
No. of fan speeds	3
Lights	2 2W LED
RANGEHOOD FEATURES	
Maximum airflow (m3/h)	700
Maximum noise level (dBA)	60
Controls	Push button
Filters	1 aluminium / stainless steel honeycomb
INSTALLATION	
Electrical connection	10A plug
Power	220 - 240V / 50Hz
Motor (W)	190
DIMENSIONS (W x H x D)	
Product (mm)	696 x 254 x 296
Cut out (mm)	663 x 254 x 263



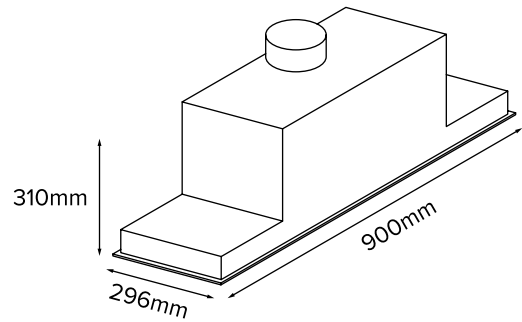


# RANGEHOODS

MODEL	TGU90S
Type	Undermount
Extraction	Ducted
RANGEHOOD FUNCTIONS	
No. of fan speeds	3
Lights	2 2W LED
RANGEHOOD FEATURES	
Maximum airflow (m3/h)	700
Maximum noise level (dBA)	58
Controls	Push button
Filters	1 aluminium / stainless steel honeycomb
INSTALLATION	
Electrical connection	10A plug
Power	220 - 240V / 50Hz
Motor (W)	190
DIMENSIONS (W x H x D)	
Product (mm)	896 x 254 x 296
Cut out (mm)	863 x 254 x 263

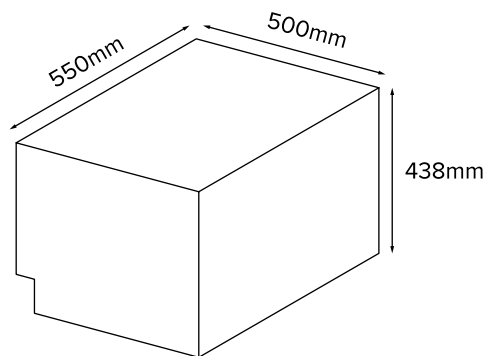


MODEL	TGU90BK
Type	Undermount
Extraction	Ducted
RANGEHOOD FUNCTIONS	
No. of fan speeds	3
Lights	2 2W LED strip
RANGEHOOD FEATURES	
Maximum airflow (m3/h)	1000
Maximum noise level (dBA)	62
Controls	Sensor touch
Filters	1 aluminium mesh
Timer	Yes
INSTALLATION	
Electrical connection	10A plug
Power	220 - 240V / 50Hz
Motor (W)	265
DIMENSIONS (W x H x D)	
Product (mm)	900 x 310 x 296
Cut out (mm)	880 x 305 x 280

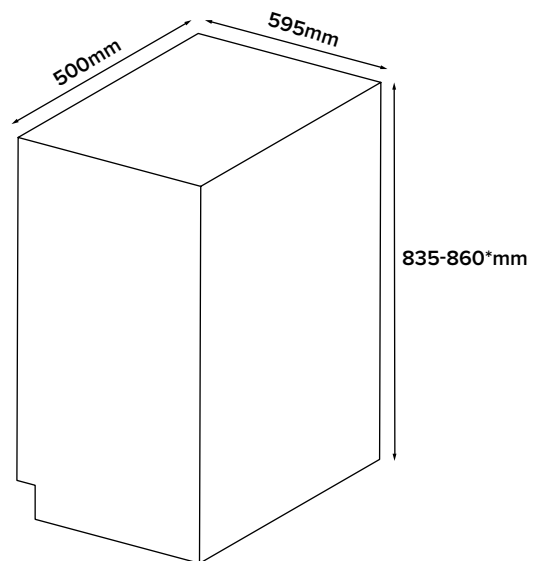


# DISHWASHERS

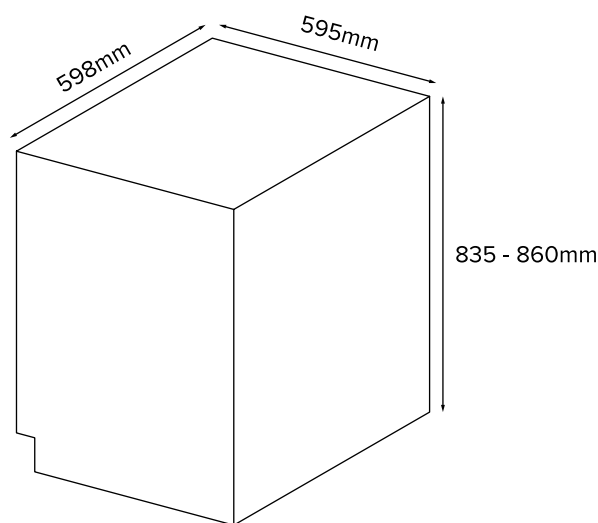
MODEL	TEBTDWS-5
Type	Benchtop
<b>DISHWASHER PROGRAMS</b>	
Intensive	Yes
Heavy	Yes
Eco	Yes
Glass	Yes
Rapid	Yes
90min	Yes
Delay start	2 / 4 / 6 / 8 hour
<b>DISHWASHER FEATURES</b>	
Noise level (dBA)	49
Place settings	6
Cutlery basket	Yes
Controls	Push button
No. of spray arms	1
Concealed heating element	Yes
Drying system	Residual heat
Overflow protection	Yes
Rinse aid indicator	Yes
<b>INSTALLATION</b>	
Electrical connection	10A plug
Power	220 - 240V / 50Hz
MEPS energy rating	2.5 stars
Total energy consumption (kW)	164
WELS water rating	3.5 stars
Total water consumption (L)	7.4
Program tested	Normal
<b>DIMENSIONS (W x H x D)</b>	
Product (mm)	550 x 438 x 500
Cut out (mm)	552 x 440 x 500



MODEL	TSDW14GG
Type	Freestanding
<b>DISHWASHER PROGRAMS</b>	
Intensive	Yes
Heavy	Yes
Normal	Yes
Pre-rinse	Yes
Half Load	Yes
Extra Drying	Yes
60min	Yes
90min	Yes
Delay start	1-24 Hours
<b>DISHWASHER FEATURES</b>	
Noise level (dBA)	52
Place settings	14
Top-level cutlery tray	Yes
Controls	Electronic, push button
No. of spray arms	3 (upper level and top)
Concealed heating element	Yes
Drying system	Natural Drying
Overflow protection	Yes
Rinse aid indicator	Yes
Removal top	Yes
Child lock	Yes
Internal tub material	Stainless steel
Filter type	3 Stage filter, plastic
<b>INSTALLATION</b>	
Electrical connection	10A plug
Power	220 - 240V / 50Hz
MEPS energy rating	3 stars
Total energy consumption (kW)	290kWh
WELS water rating	4 stars
Total water consumption (L)	13.5L
Program tested	Normal
<b>DIMENSIONS (W x H x D)</b>	
Product (mm)	598 x 835 - 860* x 595
Cut out (mm)	600 x 845* x 600



MODEL		TGDW6SS / TGDW6BK
Type	Freestanding	
DISHWASHER PROGRAMS		
Intensive	Yes	
Heavy	Yes	
Normal	Yes	
Rinse	Yes	
Rapid	Yes	
Soak	Yes	
Auxiliary functions	3 in 1	
Delay start	1 - 24 hour	
DISHWASHER FEATURES		
Noise level (dBA)	49	
Place settings	14	
Cutlery tray	Yes	
Controls	Push button	
EasyLift upper basket	Yes	
Adjustable plate racks	Yes	
No. of spray arms	2	
Concealed heating element	Yes	
Drying system	Residual heat	
Overflow protection	Yes	
Rinse aid indicator	Yes	
Child lock	Yes	
INSTALLATION		
Electrical connection	10A plug	
Power	220 - 240V / 50Hz	
MEPS energy rating	3 stars	
Total energy consumption (kW)	310	
WELS water rating	4 stars	
Total water consumption (L)	13.8	
Program tested	Normal	
Removable top	Yes	
DIMENSIONS (W x H x D)		
Product (mm)	598 x 835 - 860 x 595	
Cut out (mm)	600 x 840 - 865 x 600	



# TECHNIKA

PROFESSIONAL SERIES

*Style Without Compromise*

[www.professional.technika.com.au](http://www.professional.technika.com.au)



**GlenDimplex**   
AUSTRALIA

GLEN DIMPLEX AUSTRALIA PTY LTD  
1340 Ferntree Gully Road, Scoresby VIC 3179  
Phone: 1800 333 244  
Email: [sales@technika.com.au](mailto:sales@technika.com.au)

Glen Dimplex Australia's policy is one of continuous development and improvement. We reserve the right to change specifications without prior notice.

MAY 2021

EXCLUSIVE TO

**THE GOOD GUYS**